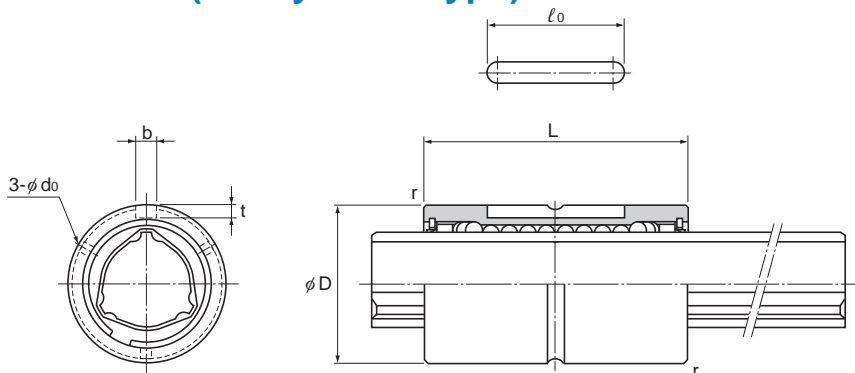


Model LBST (Heavy Load Type)



Model No.	Spline nut dimensions								
	Outer diameter		Length		Keyway dimensions			r	Greasing hole d _o
	D	Tolerance	L	Tolerance	b H8	t +0.1 0	ℓ ₀		
○● LBST 20	30	0 -0.016	60	0 -0.2	4	2.5	26	0.5	2
○● LBST 25	37		70		5	3	33	0.5	2
○● LBST 30	45		80		7	4	41	1	3
○● LBST 40	60	0 -0.019	100	0 -0.3	10	4.5	55	1	3
○● LBST 50	75		112		15	5	60	1.5	4
○ LBST 60	90		127		18	6	68	1.5	4
○● LBST 70	100	0 -0.022	135	0 -0.4	18	6	68	2	4
○● LBST 85	120		155		20	7	80	2.5	5
○● LBST 100	140	0 -0.025	175	0 -0.5	28	9	93	3	5
○ LBST 120	160		200		28	9	123	3.5	6
○ LBST 150	205	0 -0.029	250	0 -0.5	32	10	157	3.5	6

Note) ○: indicates model numbers for which high temperature types are available (with metal retainer; service temperature: up to 100°C).

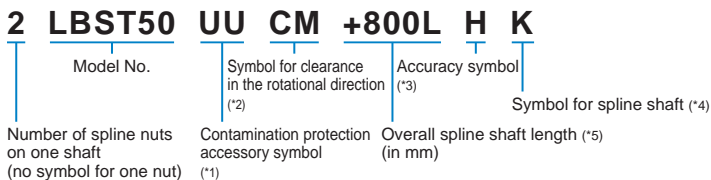
(Example) LBST25 A CM+400L H

└ High temperature symbol

●: indicates model numbers for which felt seal types are available (see **A3-120**).

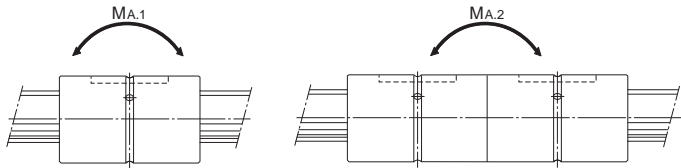
A felt seal cannot be attached to Ball Spline models using metal retainer.

Model number coding



(*1) See **A3-120**. (*2) See **A3-30**. (*3) See **A3-34**. (*4) See **A3-69**. (*5) See **A3-115**.

High Torque Type Ball Spline



Unit: mm

	Basic torque rating		Basic load rating (radial)		Static permissible moment		Mass	
	C _T N-m	C _{OT} N-m	C kN	C ₀ kN	M _{A,1} ** N-m	M _{A,2} ** N-m	Spline Nut kg	Spline shaft kg/m
	90.2	213	9.4	20.1	103	632	0.17	1.8
	176	381	14.9	28.7	171	1060	0.29	2.7
	312	657	22.5	41.4	295	1740	0.5	3.8
	696	1420	37.1	66.9	586	3540	1.1	6.8
	1290	2500	55.1	94.1	941	5610	1.9	10.6
	1870	3830	66.2	121	1300	8280	3.3	15.6
	3000	6090	90.8	164	2080	11800	3.8	21.3
	4740	9550	119	213	3180	17300	6.1	32
	6460	14400	137	271	4410	25400	10.4	45
	8380	19400	148	306	5490	32400	12.9	69.5
	13900	32200	196	405	8060	55400	28	116.6

Note) **M_{A,1} indicates the permissible moment value in the axial direction when a single spline nut is used, as shown in the figure above.

**M_{A,2} indicates the permissible moment value in the axial direction when two spline nuts in close contact with each other are used, as shown in the figure above.

For details on the maximum lengths of ball spline shafts by accuracy, please see **A3-115**.