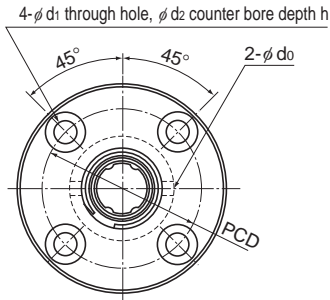
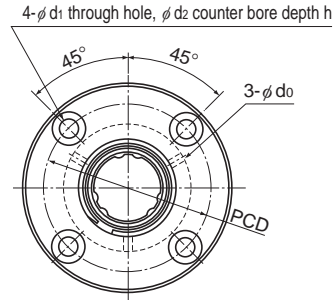


Model LF



Model LF13 or smaller



Model LF16 or greater

Model No.	Spline nut dimensions												
	Outer diameter		Length		Flange diameter		H	F	C	r	Greasing hole		Mounting hole
	D	Tolerance	L	Tolerance	D ₁	Tolerance					d ₀	PCD	
LF 6	14	0	25	0	30	0 -0.2	5	7.5	0.5	0.5	1.5	22	3.4 × 6.5 × 3.3
LF 8	16	-0.011	25		32		5	7.5	0.5	0.5	1.5	24	3.4 × 6.5 × 3.3
LF 10	21	0 -0.013	33	42	6		10.5	0.5	0.5	1.5	32	4.5 × 8 × 4.4	
LF 13	24		36	44	7		11	0.5	0.5	1.5	33	4.5 × 8 × 4.4	
○ LF 16	31	0 -0.016	50	51	7		18	0.5	0.5	2	40	4.5 × 8 × 4.4	
○ LF 20	35		63	58	9		22.5	0.5	0.5	2	45	5.5 × 9.5 × 5.4	
○ LF 25	42	71	65	9	26.5		0.5	0.5	3	52	5.5 × 9.5 × 5.4		
○ LF 30	47	80	75	10	30		0.5	0.5	3	60	6.6 × 11 × 6.5		
○ LF 40	64	0	100	100	14		36	1	0.5	4	82	9 × 14 × 8.6	
○ LF 50	80	-0.019	125	124	16		46.5	1	1	4	102	11 × 17.5 × 11	

Note) ○: indicates model numbers for which high temperature types are available (with metal retainer; service temperature: up to 100°C).

(Example) LF30 A CL+700L H

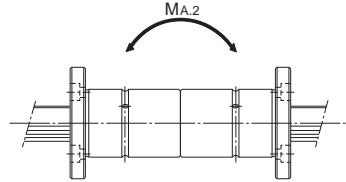
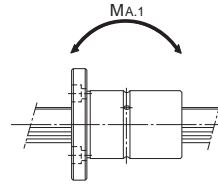
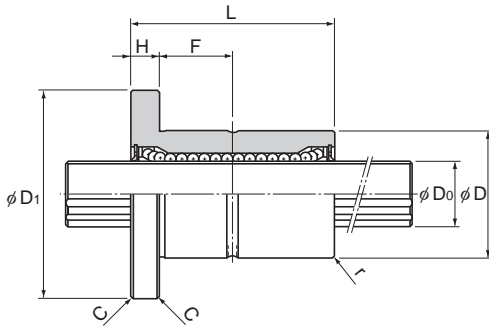
High temperature symbol

Model number coding

2	LF20	UU	CM	+400L	P	N
Model No.		Symbol for clearance in the rotational direction (*2)		Accuracy symbol (*3)		Symbol for spline shaft (*4)
Number of spline nuts on one shaft (no symbol for one nut) (*1)		Contamination protection accessory symbol (*1)		Overall spline shaft length (in mm) (*5)		

(*1) See **A3-120**. (*2) See **A3-30**. (*3) See **A3-34**. (*4) See **A3-87**. (*5) See **A3-115**.

Medium Torque Type Ball Spline



Unit: mm

	Spline shaft diameter D ₀ h7	Rows of balls	Basic torque rating		Basic load rating		Static permissible moment		Mass	
			C _T N-m	C _{OT} N-m	C kN	C ₀ kN	M _{A1} ** N-m	M _{A2} ** N-m	Spline Nut g	Spline shaft kg/m
	6	4	0.98	1.96	1.18	2.16	4.9	36.3	35	0.23
	8	4	1.96	2.94	1.47	2.55	5.9	44.1	37	0.4
	10	4	3.92	7.84	2.84	4.9	15.7	98	90	0.62
	13	4	5.88	10.8	3.53	5.78	19.6	138	110	1.1
	16	6	31.4	34.3	7.06	12.6	67.6	393	230	1.6
	20	6	56.9	55.9	10.2	17.8	118	700	330	2.5
	25	6	105	103	15.2	25.8	210	1140	455	3.9
	30	6	171	148	20.5	34	290	1710	565	5.6
	40	6	419	377	37.8	60.5	687	3760	1460	9.9
	50	6	842	769	60.9	94.5	1340	7350	2760	15.5

Note) **M_{A1} indicates the permissible moment value in the axial direction when a single spline nut is used, as shown in the figure above.

**M_{A2} indicates the permissible moment value in the axial direction when two spline nuts in close contact with each other are used, as shown in the figure above.

(Single LF-unit configuration is not stable in accuracy. We recommend using two units in close contact with each other.)
For details on the maximum lengths of ball spline shafts by accuracy, please see **A3-115**.