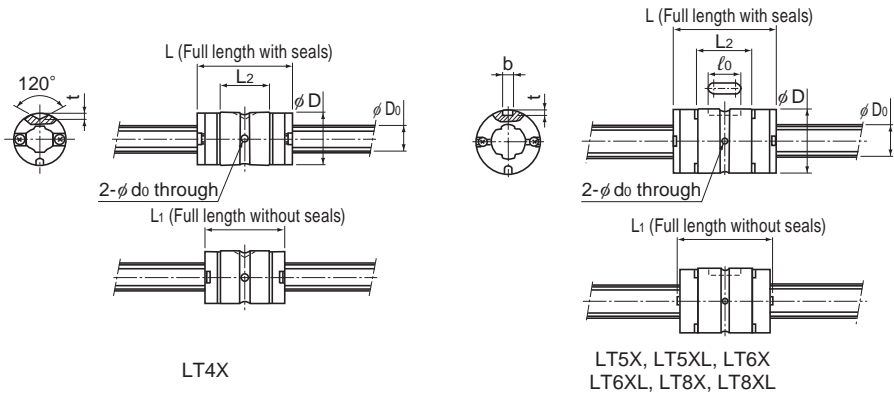


# Model LT-X



Model No.	Spline shaft diameter		Spline nut dimensions							
	D <sub>0</sub> h7	Outer diameter		Length			Keyway dimensions			Greasing hole
		D	Tolerance	L (With seals)	L <sub>1</sub> (Without seals)	L <sub>2</sub>	b H8	t	ℓ <sub>0</sub>	d <sub>0</sub>
LT 4X	4	8	<sup>0</sup> -0.009	14.4	12	7.5	—	1	—	1
LT 5X LT 5XL	5	10	<sup>0</sup> -0.009	15 26	13.6 24.6	7.3 18.3	2	1.2	4.7	1 1
LT 6X LT 6XL	6	12	<sup>0</sup> -0.009	19 30	17.6 28.6	10.2 21.2	2	1.2	6	1 1
LT 8X LT 8XL	8	15	<sup>0</sup> -0.011	25 40	23.8 38.8	14.6 29.6	2.5	1.2	8	1 1
LT 10X	10	19	<sup>0</sup> -0.013	33	30.8	23.9	3	1.5	13	1.5
LT 13X	13	23	<sup>0</sup> -0.013	36	32.4	24	3	1.5	15	1.5
LT 16X	16	28	<sup>0</sup> -0.013	50	46.4	35.4	3.5	2	17.5	2
LT 20X	20	32	<sup>0</sup> -0.016	63	59	47.4	4	2.5	29	2
LT 25X	25	40	<sup>0</sup> -0.016	71	67	52.6	4	2.5	36	3
LT 30X	30	45	<sup>0</sup> -0.016	80	75.6	59.6	4	2.5	42	3

## Model number coding

**2 LT20X UU CL +700L P K**

Model No.

Number of spline nuts  
on one shaft  
(no symbol for one nut)

Symbol for clearance  
in the rotational direction

(<sup>(2)</sup>)  
Contamination protection  
accessory symbol (<sup>(1)</sup>)

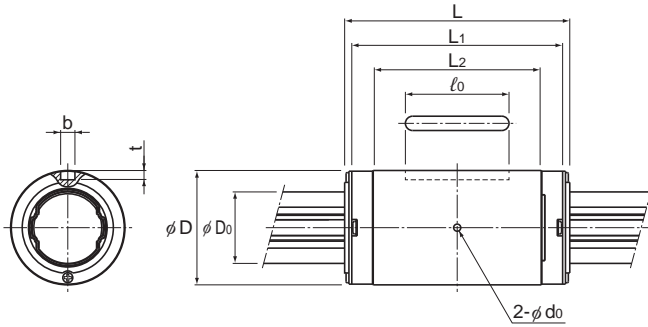
Accuracy  
symbol (<sup>(3)</sup>)

Overall spline shaft length (<sup>(5)</sup>)  
(in mm)

Symbol for spline shaft (<sup>(4)</sup>)




(<sup>(1)</sup>) See **A3-120**. (<sup>(2)</sup>) See **A3-30**. (<sup>(3)</sup>) See **A3-34**. (<sup>(4)</sup>) See **A3-87**. (<sup>(5)</sup>) See **A3-115**.

# Medium Torque Type Ball Spline



LT10X to 30X

Unit: mm

	Basic torque rating		Basic load rating		Static permissible moment			Mass	
	$C_T$ N-m	$C_{OT}$ N-m	$C$ kN	$C_0$ kN	$M_{A1}$  N-m	$M_{A2}$ (With seal)  N-m	$M_{A2}$ (Without seal)  N-m	Spline Nut g	Spline shaft kg/m
	0.49	0.82	0.42	0.7	0.84	6.2	5.0	2.2	0.1
	0.82 1.59	1.25 3.20	0.56 1.09	0.85 2.19	1.04 6.11	8.2 35.5	6.6 28.4	3.3 8	0.15
	1.73 2.81	2.77 5.54	0.98 1.60	1.58 3.15	2.85 10.6	19 59.8	15.2 47.8	6.6 13.3	0.21
	6.00 10.10	9.23 19.4	1.39 2.35	2.15 4.53	5.13 21.1	34.3 110.9	27.4 88.7	14.3 24.3	0.38
	9.41	17.3	2.94	5.40	21.5	114	104	30	0.59
	17.1	28.7	4.16	6.96	28.9	164	149	40	1.01
	42.9	68.6	8.40	13.4	77.4	419	381	81	1.52
	66.4	117	10.5	18.6	144	735	669	130	2.41
	125	207	15.9	26.2	230	1183	1077	235	3.71
	196	319	20.8	34.0	335	1714	1560	295	5.37

Note) The mass of the spline nut does not include the seal.  
Please check the spline shaft strength tests (A3-12) before use.