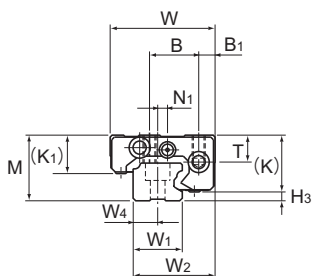
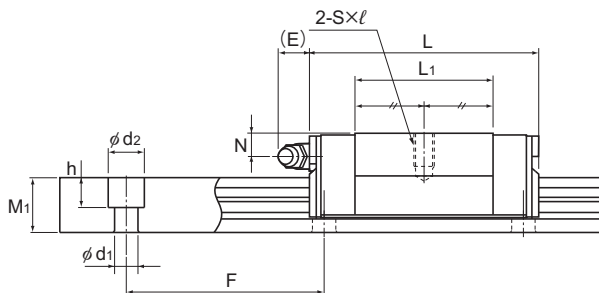


Models GSR-T and GSR-V



Model GSR15T/V



Models GSR15 to 25V

Model No.	Outer dimensions			LM block dimensions													Grease nipple	H ₃
	Height	Width	Length	B ₁	B	C	S × l	L ₁	T	K	K ₁	N	N ₁	E				
	M	W	L															
GSR 15V GSR 15T	20	32	47.1 59.8	5	15	— 26	M4 × 7	27.5 40.2	8.25	16.8	12	4.5	3	5.5	PB107	3.2		
GSR 20V GSR 20T	24	43	58.1 74	7	20	— 30	M5 × 8	34.3 50.2	9.7	20.6	13.6	5	—	12	B-M6F	3.4		
GSR 25V GSR 25T	30	50	69 88	7	23	— 40	M6 × 10	41.2 60.2	12.7	25.4	16.8	7	—	12	B-M6F	4.6		
GSR 30T	33	57	103	8	26	45	M8 × 12	70.3	14.6	28.5	18	7	—	12	B-M6F	4.5		
GSR 35T	38	68	117	9	32	50	M8 × 15	80.3	15.6	32.5	20.5	8	—	12	B-M6F	5.5		

Model number coding

Combination of LM rail and LM block

GSR25 T 2 UU +1060L H T K

Model number

Type of LM block

Contamination protection accessory symbol (*1)

LM rail length (in mm)

Symbol for LM rail jointed use

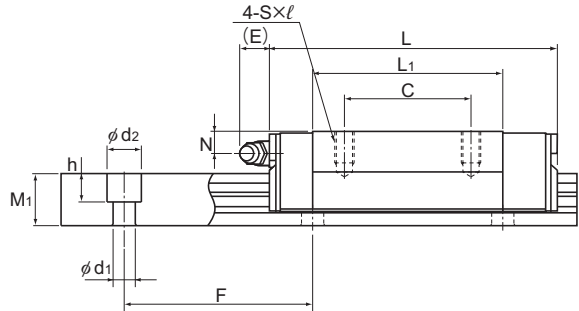
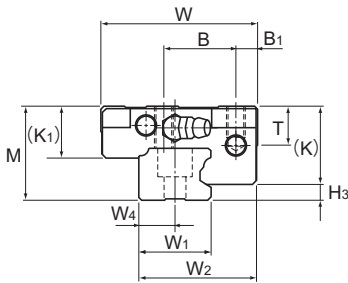
Symbol for tapped-hole LM rail type

No. of LM blocks used on the same rail

Accuracy symbol (*2)
Normal grade (No Symbol)/High accuracy grade (H)
Precision grade (P)

(*1) See contamination protection accessory on **A1-494**. (*2) See **A1-81**.

Note) One set of model GSR: This model number indicates that a single-rail unit constitutes one set.



Models GSR20 to 35T, Models GSR20V and 25V

Models GSR15 to 35T

Unit: mm

LM rail dimensions							Basic load rating		Static permissible moment kN-m*				Mass	
Width	Height	Pitch	Length*	C	C ₀	M _A	M _B	LM block	LM rail			kg	kg/m	
										W ₁	W ₂			W ₄
15	25	7.5	11.5	60	4.5 × 7.5 × 5.3	2000	6.51 8.42	6.77 9.77	0.0305 0.0606	0.19 0.337	0.0264 0.0523	0.165 0.29	0.08 0.13	1.2
20	33	10	13	60	6 × 9.5 × 8.5	3000	10.5 13.6	10.6 15.3	0.06 0.118	0.368 0.652	0.052 0.102	0.318 0.562	0.17 0.25	1.8
23	38	11.5	16.5	60	7 × 11 × 9	3000	15.5 20	15.2 22	0.102 0.205	0.625 1.11	0.0891 0.176	0.541 0.961	0.29 0.5	2.6
28	44.5	14	19	80	9 × 14 × 12	3000	27.8	29.9	0.325	1.77	0.28	1.52	0.6	3.6
34	54	17	22	80	11 × 17.5 × 14	3000	37	39.1	0.485	2.63	0.419	2.27	1	5

Note) A moment in the direction M_c can be received if two rails are used in parallel. However, since it depends on the distance between the two rails, the moment in the direction M_c is omitted here.

The maximum length under "Length*" indicates the standard maximum length of an LM rail. (See **A1-276**.)

Static permissible moment*: 1 block: static permissible moment value with 1 LM block

Double blocks: static permissible moment value with 2 blocks closely contacting with each other

Clients who require wall-mounted installations or oil lubrication should contact THK.

Model number coding

LM block

GSR25 | **T** | **UU**

Model number | Contamination protection accessory symbol (*1) | Type of LM block

LM rail

GSR25 | **-1060L** | **H** | **K**

Model number | LM rail length (in mm) | Accuracy symbol (*2) | Symbol for tapped-hole LM rail type

Normal grade (No Symbol)
High accuracy grade (H)
Precision grade (P)

(*1) See contamination protection accessory on **A1-494**. (*2) See **A1-81**.