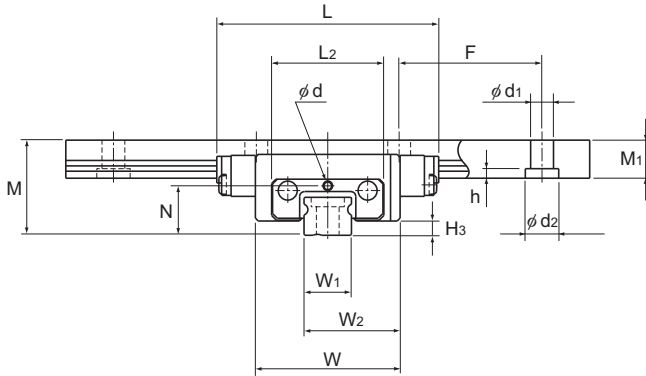


Model MX



Model No.	Outer dimensions			LM block dimensions			H ₃
	Height	Width	Length	L ₂	N	Greasing hole d	
	M	W	L				
MX 5M	10	15.2	23.3	11.8	5.2	0.8	1.5
MX 7WM	14.5	30.2	40.8	24.6	7.4	1.2	2

Note) The LM block, rail, and ball material are composed of stainless steel and are corrosion resistant to general environments.

Model number coding

4 MX7W M UU C1 +120 / 100L P T M

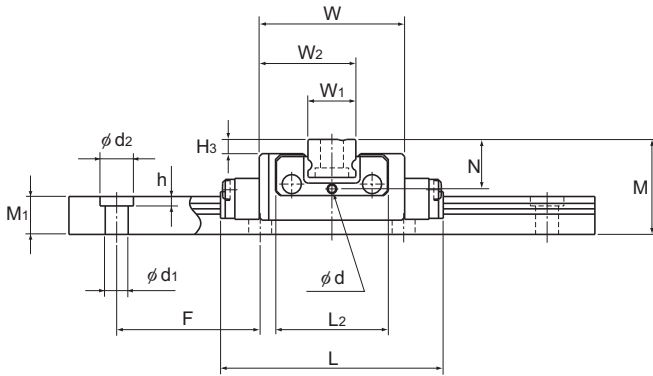
- 4**: Total No. of LM blocks
- MX7W M**: Model number
- UU**: Contamination protection accessory symbol (*1)
- C1**: Radial clearance symbol (*2)
Normal (No symbol)
Light preload (C1)
- +120 / 100L**: LM rail length on the X axis (in mm) / LM rail length on the Y axis (in mm)
- P**: Accuracy symbol (*3)
Normal grade (No Symbol)/Precision grade (P)
- T**: Symbol for LM rail jointed use
- M**: LM rail is made of stainless steel

(*1) See contamination protection accessory on **A1-492**. (*2) See **A1-71**. (*3) See **A1-83**.

Note) If the LM rail mount of a semi-standard model is of a tapped-hole LM rail type, add symbol "K" after the accuracy symbol.

Example: 4 MX7W M UU C1+120/100L P **K** T M

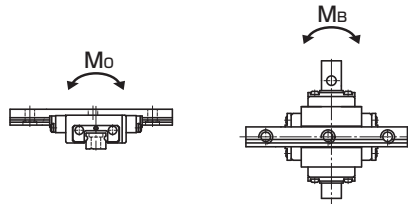
_____ Add symbol K



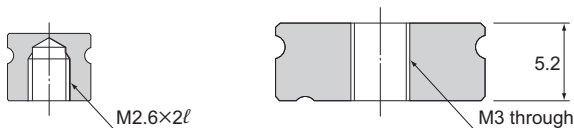
Unit: mm

LM rail dimensions							Basic load rating		Static Permissible Moment* N-m		Mass	
Width		Height	Pitch		Length*	C	C ₀	M ₀	M _B	LM block	LM rail	
W ₁	W ₂	M ₁	F	d ₁ × d ₂ × h	Max	kN	kN			kg	kg/m	
5 ⁰ _{-0.02}	10.1	4	15	2.4 × 3.5 × 1	200	0.59	1.1	2.57	2.57	0.01	0.14	
14 ⁰ _{-0.025}	22.1	5.2	30	3.5 × 6 × 3.2	400	2.04	3.21	14.7	14.7	0.051	0.51	

Note) The maximum length under "Length*" indicates the standard maximum length of an LM rail. (See **A1-304**.)
 Static permissible moment*: static permissible moment value with 1 LM block



For the LM rail mounting hole, a tapped-hole LM rail type is available as semi-standard.



Model MX5M

Model MX7WM

When mounting the LM rail of model MX7WM, take into account the thread length of the mounting bolt in order not to let the bolt end stick out of the top face of the LM rail.