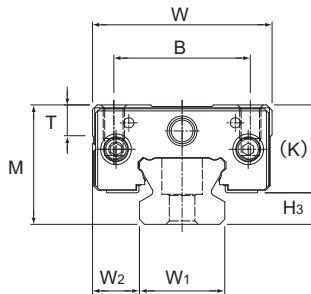


## Models SR-MSV and SR-MSW



Model No.	Outer dimensions			LM block dimensions							H <sub>3</sub>
	Height	Width	Length	B	C	S × ℓ	L <sub>1</sub>	T	K		
	M	W	L								
SR15MSV SR15MSW	24	34	36.6 53.2	26	— 26	M4 × 7	22.9 39.5	5.7	19.5	4.5	
SR20MSV SR20MSW	28	42	41.3 60.2	32	— 32	M5 × 8	27.8 46.7	7.2	22	6	

### Model number coding

**SR15MSV 1 CS + 340L Y P - II**

Model No.

LM rail length  
(mm)

Radial clearance  
symbol (\*1)

Applied to  
only 15

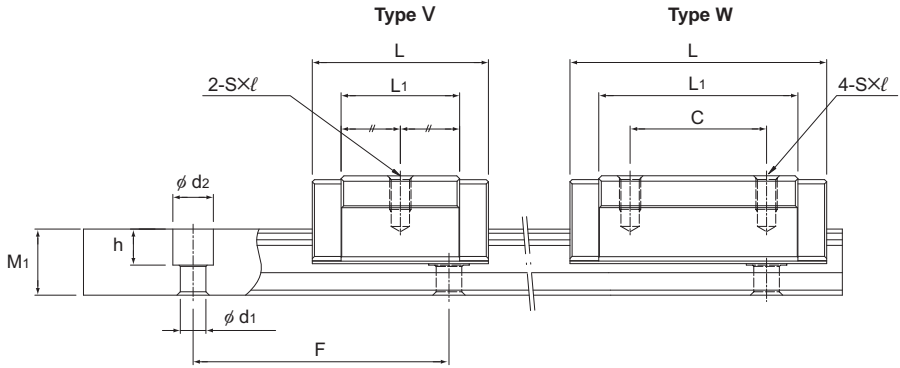
Symbol for  
No. of rails used on the  
same plane (\*3)

No. of LM blocks  
used on the same rail

Accuracy symbol (\*2)

(\*1) See **A1-72**. (\*2) See **A1-85**. (\*3) See **A1-13**.

Note) With this model, a single-rail unit constitutes one set (i.e., the required number of sets when 2 rails are used in parallel is 2).



Unit: mm

LM rail dimensions						Permissible load $F_0$	Permissible moment N•m					Mass	
Width	Height		Pitch	Length*	$F_0$		$M_A$		$M_B$		$M_C$	LM block	LM rail
$W_1$ $\pm 0.05$	$W_2$	$M_1$	F				$d_1 \times d_2 \times h$	1 block	Double blocks	1 block	Double blocks	1 block	kg
15	9.5	12.5	60	400	$3.5 \times 6 \times 4.5$	320	0.80	5.43	0.51	3.60	1.16	0.12	1.2
					Max		570	2.35	13.0	1.47	8.31	2.08	
20	11	15.5	60	400	$6 \times 9.5 \times 8.5$	430	1.35	8.44	0.87	5.52	2.05	0.2	2.1
					Max		750	3.76	19.9	2.36	12.6	3.59	

Note1) The maximum length under "Length\*" indicates the standard maximum length of an LM rail. (See **A1-392**.)

For the durability of the Oil-Free LM Guide for special environment, contact THK.

The value of permissible load  $F_0$  represents the permissible value for the strength of the dry lubricant S-compound film. Since the service life of the S film may vary according to the environment or the operating conditions, be sure to evaluate and validate the life under the service conditions and operating conditions at the customer.

Note2) For model SR15, two types of rails with different mounting hole dimensions are offered (see Table1).

When, replacing this model with model SSR, pay attention to the mounting hole dimension of the LM rail. Contact THK for details.

Table1 The dimension of the rail mounting hole

Model No.	Standard rail	Semi-Standard rail
SR 15	For M3 (No symbol)	For M4 (Symbol Y)